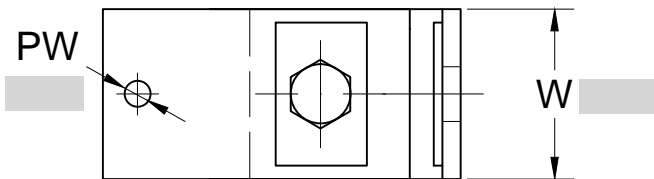
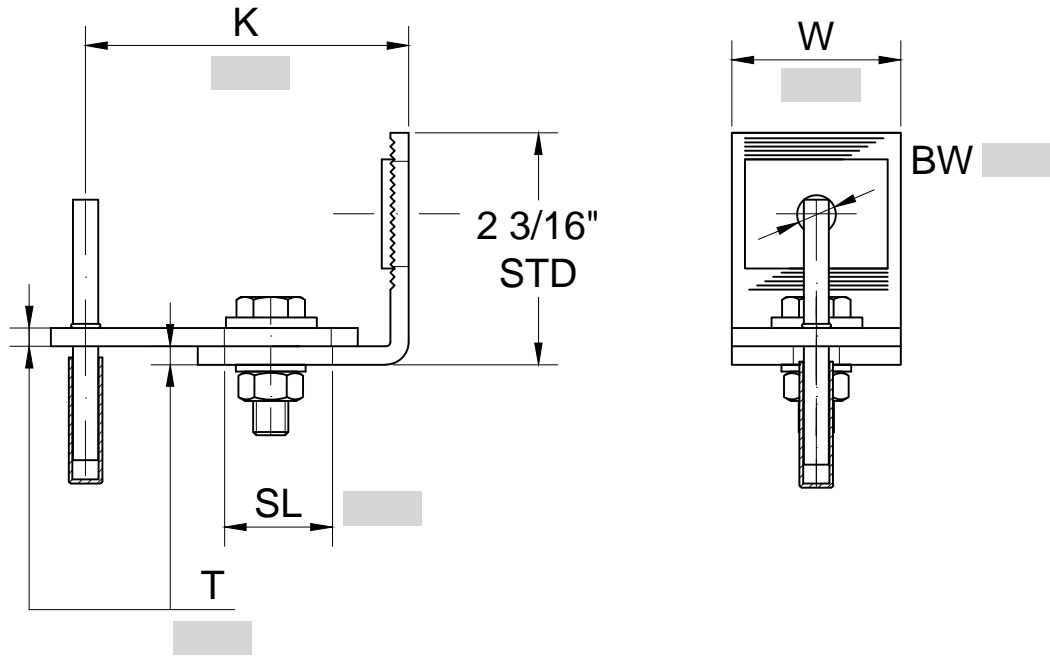


#108 - 8410 Ontario Street
 Vancouver BC, Canada, V5X 4S6

PLACE ORDERS AT: sales@redleaf-group.com
 Phone: 1 877 522 1688



Contact Name: _____

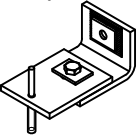
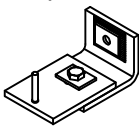
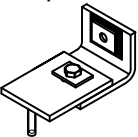
Project Name: _____

Company: _____

Phone: _____

Email: _____

Drawings for illustrative purposes only

Order Quantity: _____ pcs.	Projection (K) 2" - 2 ¹ / ₈ " [50-55mm] <input type="checkbox"/> 2 ¹ / ₄ " - 2 ¹³ / ₁₆ " [57-72mm] <input type="checkbox"/> 2 ¹ / ₂ " - 3 ¹ / ₁₆ " [64-78mm] <input type="checkbox"/> 2 ³ / ₄ " - 3 ¹¹ / ₁₆ " [70-94mm] <input type="checkbox"/> 3 ¹ / ₄ " - 4 ³ / ₈ " [82-112mm] <input type="checkbox"/> 3 ¹³ / ₁₆ " - 4 ⁷ / ₈ " [96-124mm] <input type="checkbox"/>	Plate Thickness (T) 1 ¹ / ₁₆ " [2mm] <input type="checkbox"/> 3 ³ / ₃₂ " [2.5mm] <input type="checkbox"/> 1 ¹ / ₈ " [3mm] <input type="checkbox"/> 5 ⁵ / ₃₂ " [4mm] <input type="checkbox"/> 3 ³ / ₁₆ " [5mm] <input type="checkbox"/> 1 ¹ / ₄ " [6mm] <input type="checkbox"/>	Plate Width (W) 2" [50mm] <input type="checkbox"/> 2 ³ / ₁₆ " [55mm] <input type="checkbox"/> 2 ³ / ₈ " [60mm] <input type="checkbox"/>
Product Code Design: HA04-30.2.30.8.A <small>Type Projection (mm) Shape Bolt Slot Width (mm) Plate Thickness (mm) Plate Width (mm)</small>	Anchor Bolt Slot Width (BW) STD: 5/16" [M8] <input type="checkbox"/> 3/8" [M10] <input type="checkbox"/> 1/2" [M12] <input type="checkbox"/>	Pin Width (PW) STD: 3/16" [5mm] <input type="checkbox"/> 1/4" [6mm] <input type="checkbox"/>	Connecting Bolt Slot Length (SL) 1" [25mm] <input type="checkbox"/> 1 ¹ / ₄ " [30mm] <input type="checkbox"/> 1 ¹ / ₂ " [35mm] <input type="checkbox"/>
Shape A <input type="checkbox"/> Shape B <input type="checkbox"/> Shape C <input type="checkbox"/>   	Finish: A 304 (Stainless) <input type="checkbox"/> A 316 <input type="checkbox"/> Elec-Galv <input type="checkbox"/>		

The appropriate selection and use of any product contained herein must be determined by competent architects, engineers, and other professionals who are familiar with the specific requirements for this project. Engineering is not included.